
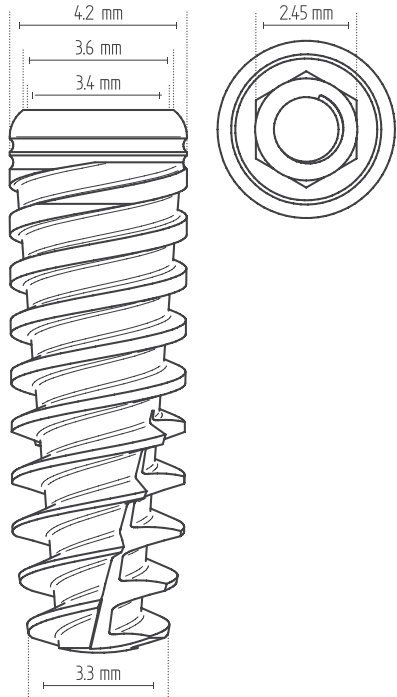


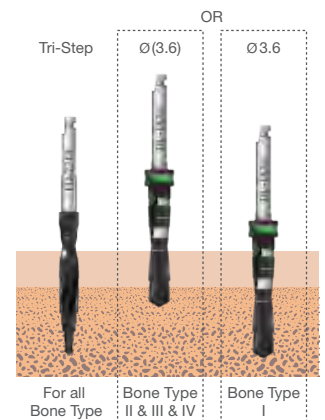
TOUAREG™ -S **Ø4.2**

AB/AE Surface
Titanium Grade 5

| Catalog No. | Length mm | | |
|-------------|-----------|--|--|
| ISPS0642 | 6.25 |  |  |
| ISPS0842 | 8 | | |
| ISPS1042 | 10 | | |
| ISPS1142 | 11.5 | | |
| ISPS1342 | 13 | | |
| ISPS1642 | 16 | | |
| ISPS1842 | 18 | | |

Drill Sequence

| BONE TYPE D-IV | BONE TYPE D-II & III | BONE TYPE D-I |
|--------------------------|--------------------------|------------------------|
| 1. Tri-Step* 2. (3.6) | 1. Tri-Step* 2. (3.6) | 1. Tri-Step* 2. 3.6 |



Note: (x.xx) drill to the depth of the cortex only. All measurements are in mm.

⚠ CAUTION: The drill preparation is up to 1mm longer than the implants.

* For initial drilling, you may use 2, 2.8 and 3.2 drills in sequence instead of the Tri-Step drill.