
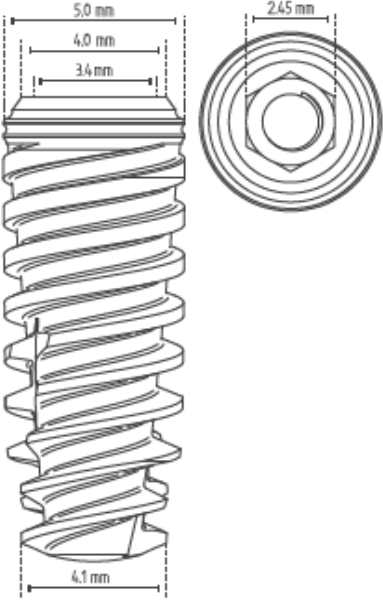


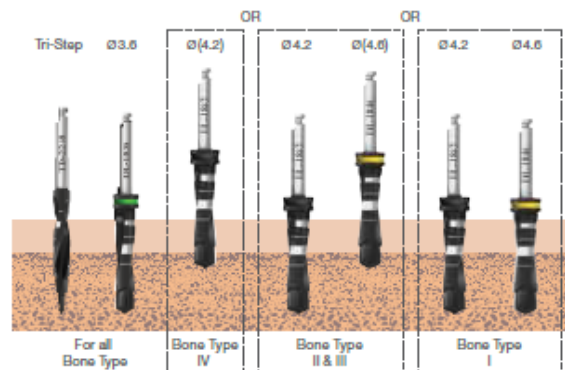
TOUAREG™ - S Ø5.0

AB/AE Surface
Titanium Grade 5

| Catalog No. | Length mm | | |
|-------------|-----------|--|---|
| ISPS0650 | 6.25 |  |  |
| ISPS0850 | 8 | | |
| ISPS1050 | 10 | | |
| ISPS1150 | 11.5 | | |
| ISPS1350 | 13 | | |
| ISPS1650 | 16 | | |

Drill Sequence

| BONE TYPE D-IV | BONE TYPE D-II & III | BONE TYPE D-I |
|----------------|----------------------|---------------|
| 1. Tri-Step* | 1. Tri-Step* | 1. Tri-Step* |
| 2. 3.6 | 2. 3.6 | 2. 3.6 |
| 3. (4.2) | 3. 4.2 | 3. 4.2 |
| | 4. (4.6) | 4. 4.6 |



Note: (x.xx) drill to the depth of the cortex only.
All measurements are in mm.

⚠ CAUTION: The drill preparation is up to 1mm longer than the implants.

* For initial drilling, you may use 2, 2.8 and 3.2 drills in sequence instead of the Tri-Step drill.