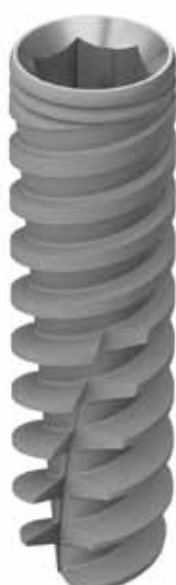
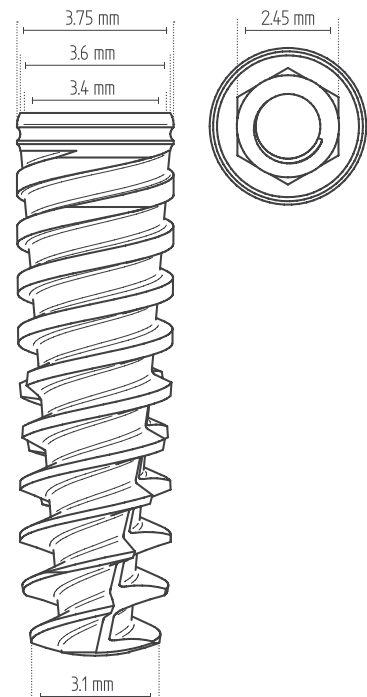


TOUAREG™ - S $\varnothing 3.75$

AB/AE Surface
Titanium Grade 5

Catalog No.	Length mm		
ISPS0838	8		
ISPS1038	10		
ISPS1138	11.5		
ISPS1338	13		
ISPS1638	16		
ISPS1838	18		

Drill Sequence

BONE TYPE D-IV	BONE TYPE D-II & III	BONE TYPE D-I
1. Tri-Step*	1. Tri-Step* 2. (3.2)	1. Tri-Step* 2. 3.2

Note: (x.xx) drill to the depth of the cortex only. All measurements are in mm.

⚠ CAUTION: The drill preparation is up to 1mm longer than the implants.

* For initial drilling, you may use 2, 2.8 and 3.2 drills in sequence instead of the Tri-Step drill.

