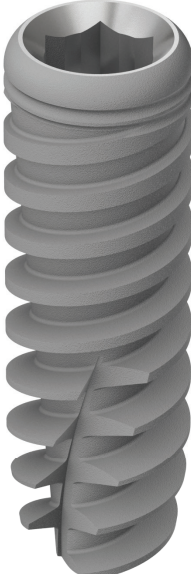
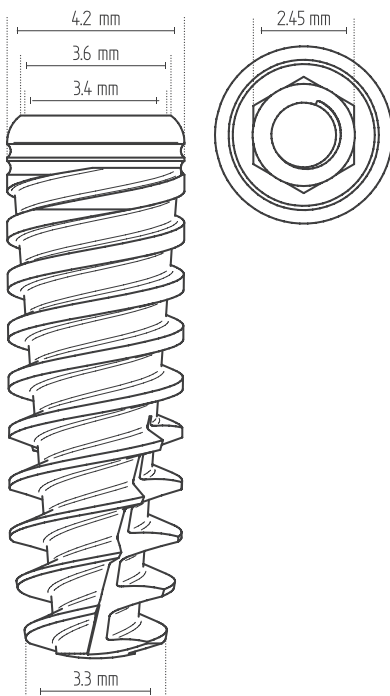


Touareg™ - S Ø4.2

AB/AE Surface
Titanium Alloy - Ti 6Al 4V ELI

Catalog No.	Length mm		
ISPS0642	6.25		
ISPS0842	8		
ISPS1042	10		
ISPS1142	11.5		
ISPS1342	13		
ISPS1642	16		
ISPS1842	18		

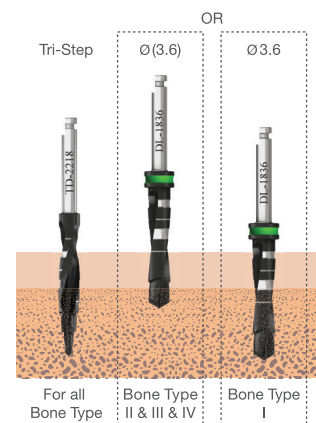
Drill Sequence

BONE TYPE D-IV	BONE TYPE D-II & III	BONE TYPE D-I
1. Tri-Step* 2. (3.6)	1. Tri-Step* 2. (3.6)	1. Tri-Step* 2. 3.6

Note: (x.xx) drill to the depth of the cortex only. All measurements are in mm.

⚠ CAUTION: The drill preparation is up to 1mm longer than the implant.

* For initial drilling, you may use 2, 2.8 and 3.2 drills in sequence instead of the Tri-Step drill.



Radiographic Template

ASD0610 | Radiographic Template Touareg™ S/OS