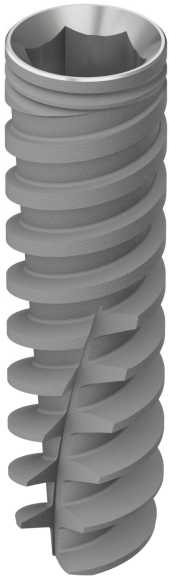
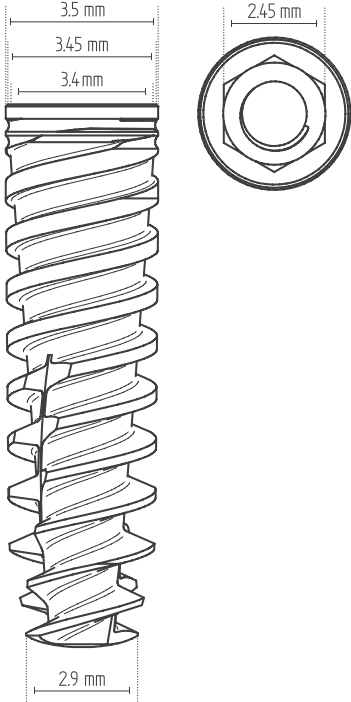


# Touareg™ - S Ø3.5

AB/AE Surface  
Titanium Alloy - Ti 6Al 4V ELI

Catalog No.	Length mm		
ISPS0835	8		
ISPS1035	10		
ISPS1135	11.5		
ISPS1335	13		
ISPS1635	16		
ISPS1835	18		

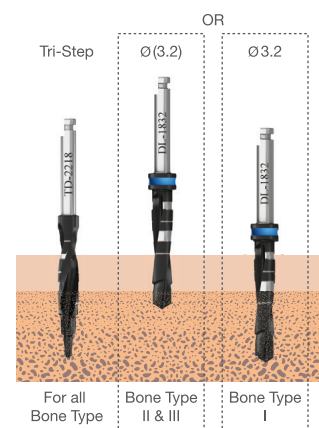
## Drill Sequence

BONE TYPE D-IV	BONE TYPE D-II & III	BONE TYPE D-I
1. Tri-Step*	1. Tri-Step* 2. (3.2)	1. Tri-Step* 2. (3.2)

Note: (x.xx) drill to the depth of the cortex only. All measurements are in mm.

⚠ CAUTION: The drill preparation is up to 1mm longer than the implant.

\* For initial drilling, you may use 2, 2.8 and 3.2 drills in sequence instead of the Tri-Step drill.



## Radiographic Template

ASD0610 | Radiographic Template Touareg™ S/OS